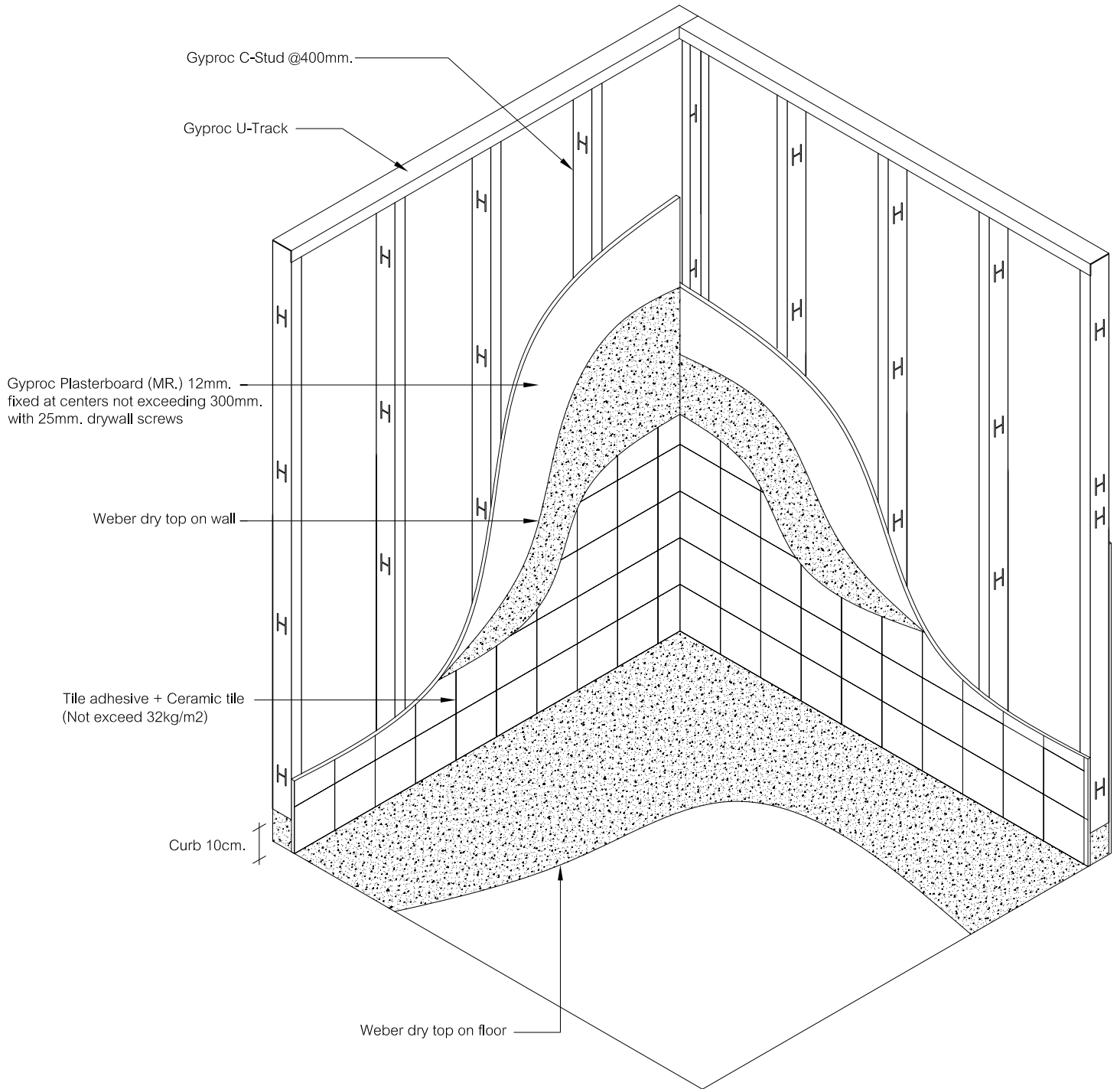


This drawing is provided to customers free of charge and the details show are subject to the accuracy of the information provided to Thai Gypsum at the time the drawing was originally requested. As a result of this sole liability for the details show cannot be accepted by Thai Gypsum, the drawing should therefore be approved by the project design and management authority before use to ensure that it meets with their specific project requirements. It should also be read in conjunction with Thai Gypsum's current literature available at www.thaigypsum.com - Topping and finishing in accordance with Thai Gypsum's current recommendations is assumed - We would also draw your attention to the Construction (Design and Management) which detail the legal duties of clients, client's agents, designers and contractors involved in construction projects.



Technical Center

Title :

GypWall TOILET : Isometric view

Dwg no. :

-/-

Scale :

None

Date :

17 Mar 2008

Approved :

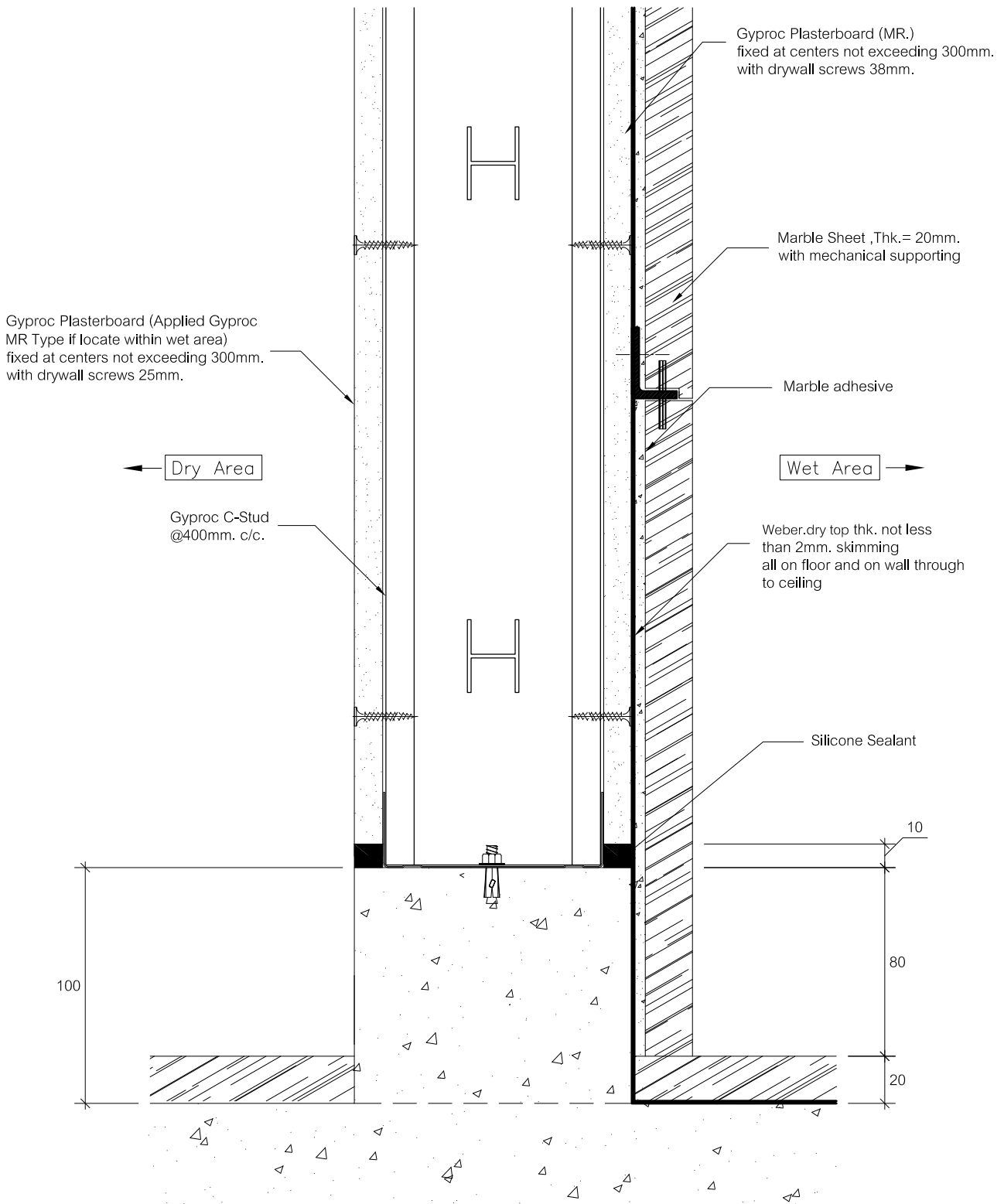
Pranote S.

File Ref :

Package1.6-GypWall: Installation for Wet Areas.dwg



This drawing is provided to customers free of charge and the details show are subject to the accuracy of the information provided to Thai Gypsum at the time the drawing was originally requested. As a result of this sole liability for the details show cannot be accepted by Thai Gypsum, the drawing should therefore be approved by the project design and management authority before use to ensure that it meets with their specific project requirements. It should also be read in conjunction with Thai Gypsum's current literature available at www.thaigypsum.com - Topping and finishing in accordance with Thai Gypsum's current recommendations is assumed - We would also draw your attention to the Construction (Design and Management) which detail the legal duties of clients, client's agents, designers and contractors involved in construction projects.

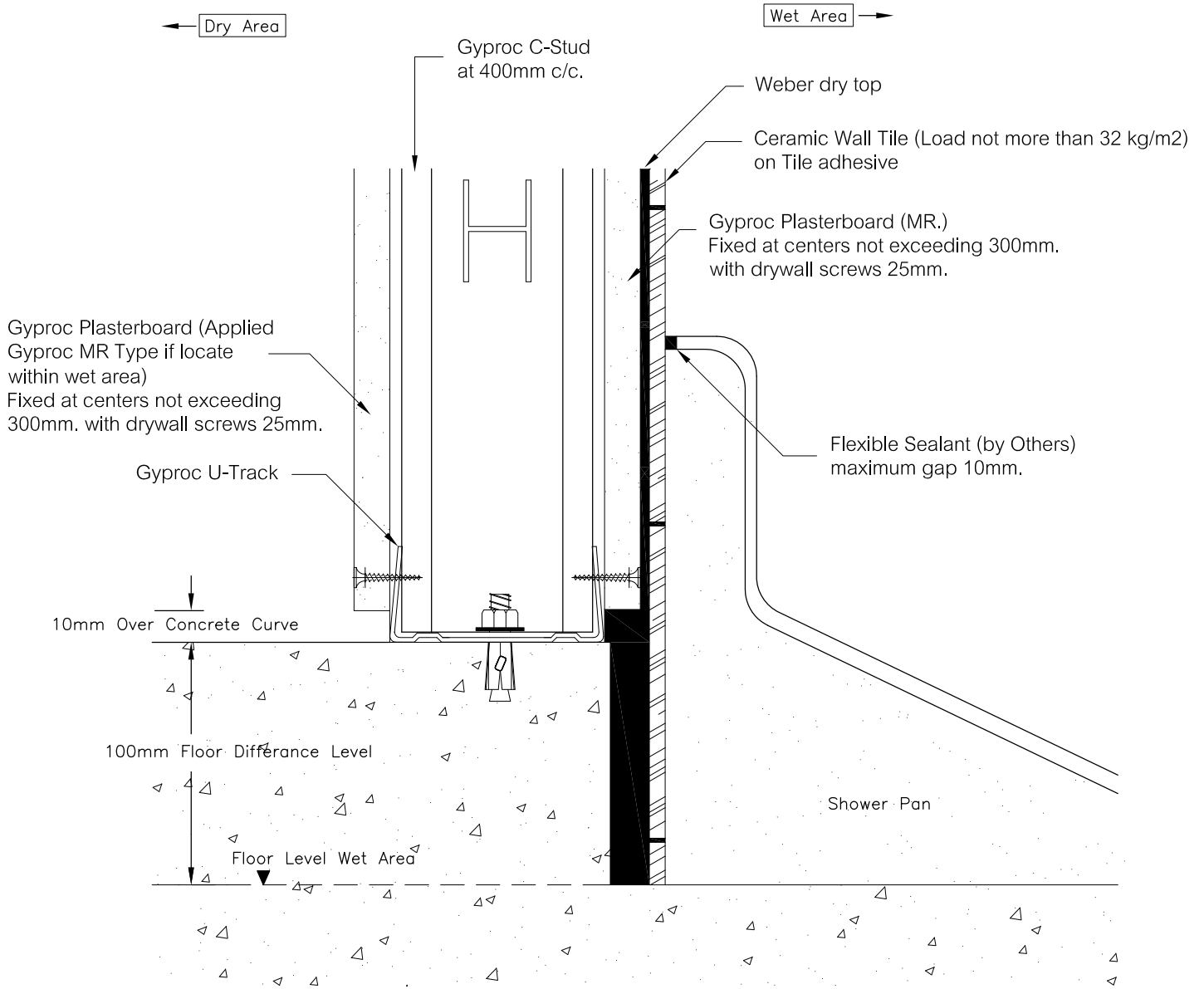


Technical Center

Title :		
GypWall TOILET : Mable installation - Side View		
Dwg no. :	Scale :	Date :
-/-	None	17 Mar 2008
Approved :	File Ref :	
Pranote S.	Package1.6-GypWall: Installation for Wet Areas.dwg	



This drawing is provided to customers free of charge and the details show are subject to the accuracy of the information provided to Thai Gypsum at the time the drawing was originally requested. As a result of this sole liability for the details show cannot be accepted by Thai Gypsum, the drawing should therefore be approved by the project design and management authority before use to ensure that it meets with their specific project requirements. It should also be read in conjunction with Thai Gypsum's current literature available at www.thaigypsum.com - Topping and finishing in accordance with Thai Gypsum's current recommendations is assumed - We would also draw your attention to the Construction (Design and Management) which detail the legal duties of clients, client's agents, designers and contractors involved in construction projects.

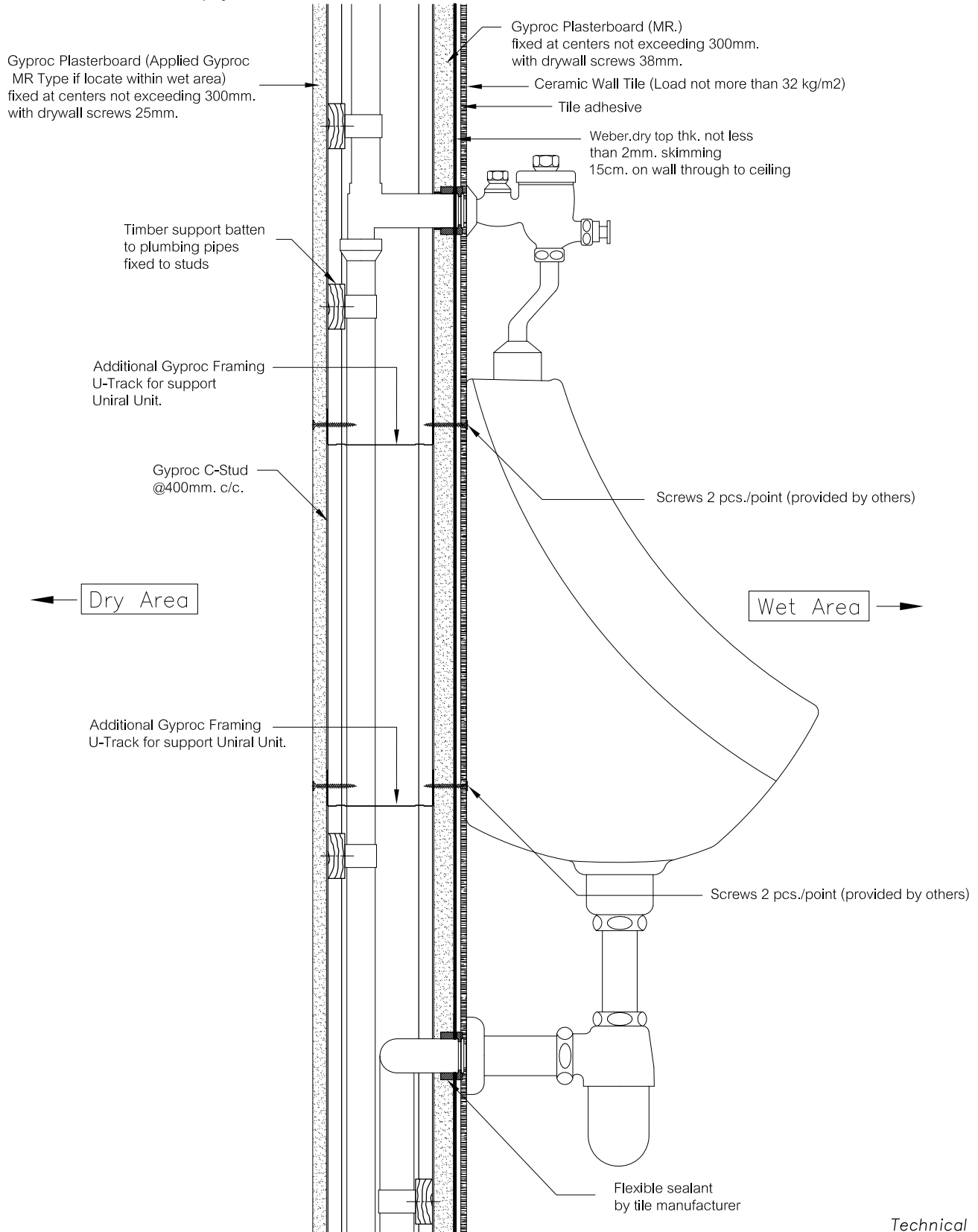


Technical Center

Title :		
GypWall TOILET : Bath Tub Area		
Dwg no. :	Scale :	Date :
-/-	None	17 Mar 2008
Approved :	File Ref :	
Pranote S.	Package1.6-GypWall: Installation for Wet Areas.dwg	



This drawing is provided to customers free of charge and the details show are subject to the accuracy of the information provided to Thai Gypsum at the time the drawing was originally requested. As a result of this sole liability for the details show cannot be accepted by Thai Gypsum, the drawing should therefore be approved by the project design and management authority before use to ensure that it meets with their specific project requirements. It should also be read in conjunction with Thai Gypsum's current literature available at www.thaigypsum.com - Topping and finishing in accordance with Thai Gypsum's current recommendations is assumed - We would also draw your attention to the Construction (Design and Management) which detail the legal duties of clients, client's agents, designers and contractors involved in construction projects.



Technical Center

Title :

GypWall TOILET : Urinal

Dwg no. :

-/-

Scale :

None

Date :

17 Mar 2008

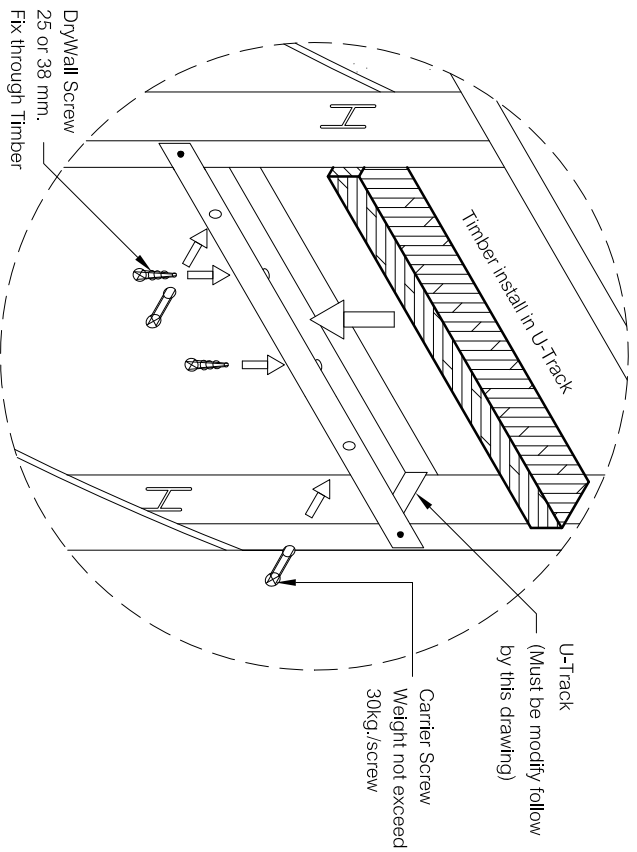
Approved :

Pranote S.

File Ref :

Package1.6-GypWall: Installation for Wet Areas.dwg

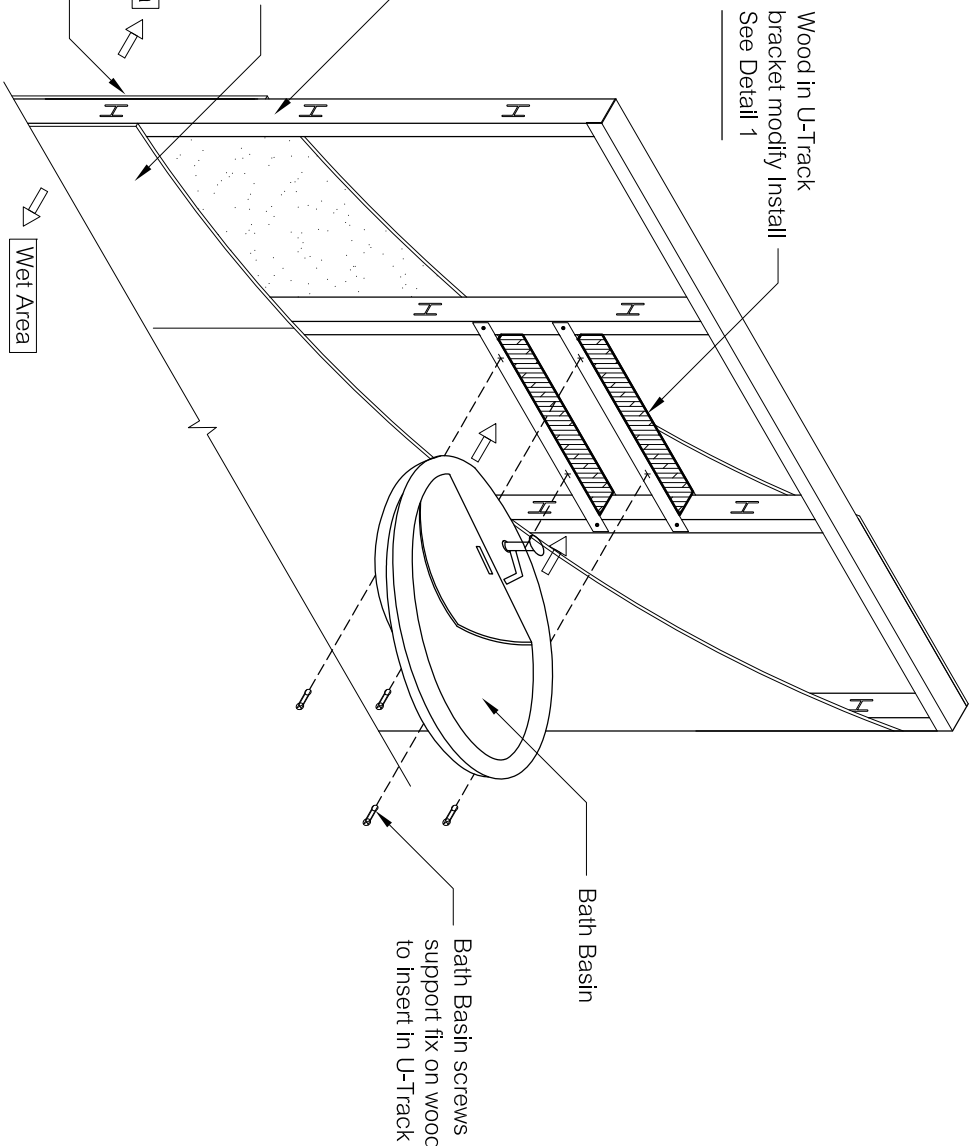
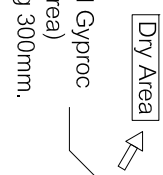




Detail 1
Scale 1:10

Gyproc Plasterboard (MR.)
fixed at centers not exceeding 300mm.
with drywall screws 38mm.

Gyproc Plasterboard (Applied Gyproc
MR Type if locate within wet area)
fixed at centers not exceeding 300mm.
with drywall screws 25mm.



Technical Center

This drawing is provided to customers free of charge and the details show are subject to the accuracy of the information provided to Thai Gyproc at the time the drawing was originally requested. As a result of this sole liability for the details show cannot be accepted by Thai Gyproc. The drawing should therefore be approved by the project design and management authority before use to ensure that it meets with their specific project requirements. It should also be read in conjunction with Thai Gyproc's current literature available at www.thaigyproc.com - Topping and finishing in accordance with Thai Gyproc's current recommendations is assumed - We would also draw your attention to the Construction (Design and Management) which detail the legal duties of clients, client's agents, designers and contractors involved in construction projects.

Title :

GypWall TOILET : Wash Basin (Sink) hanging on Wall

Dwg no. :

-/-

Scale :

None

Date :

17 Mar 2008

Approved :

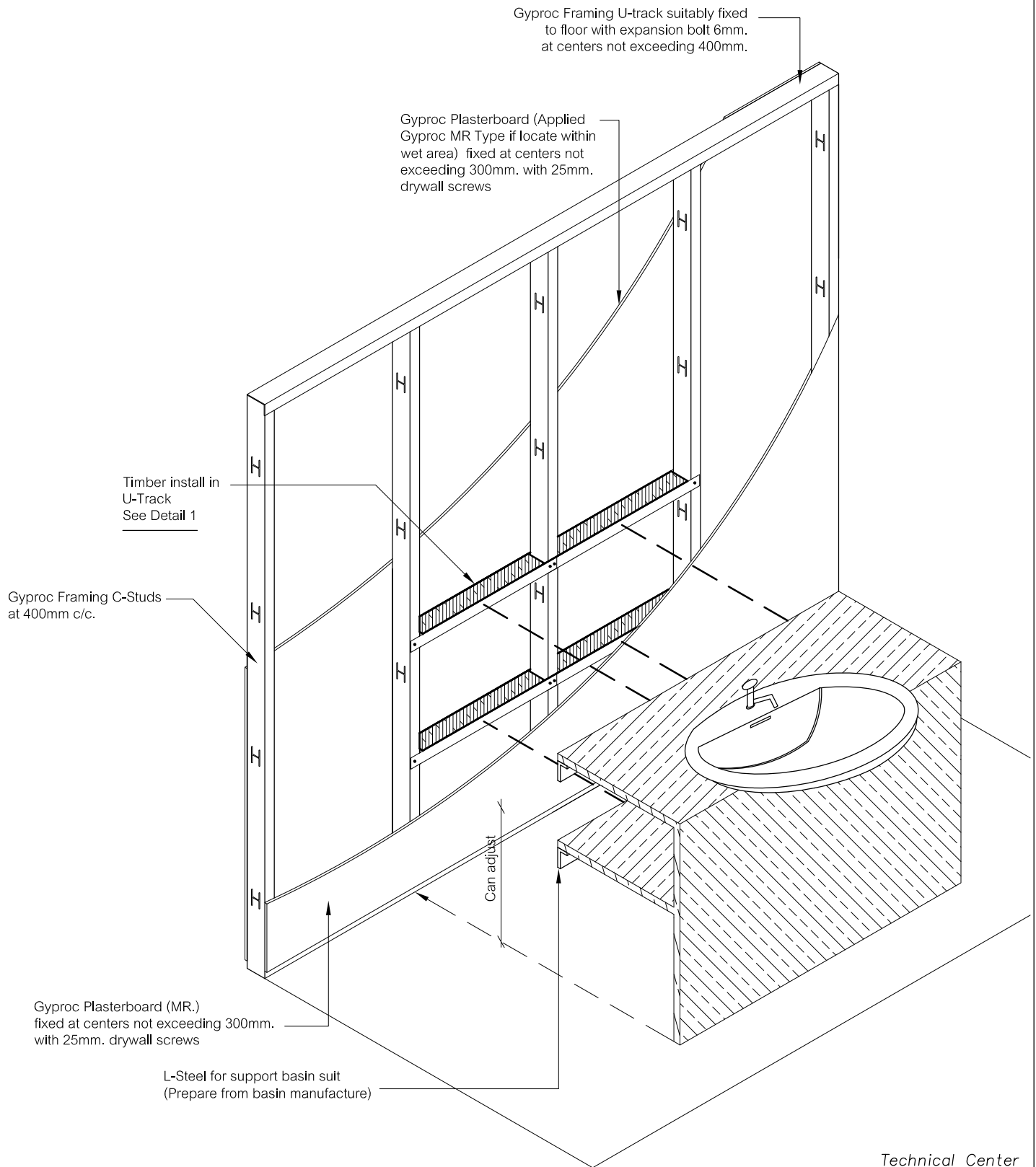
Pranote S.

File Ref :

Package1.6-GypWall: Installation for Wet Areas.dwg



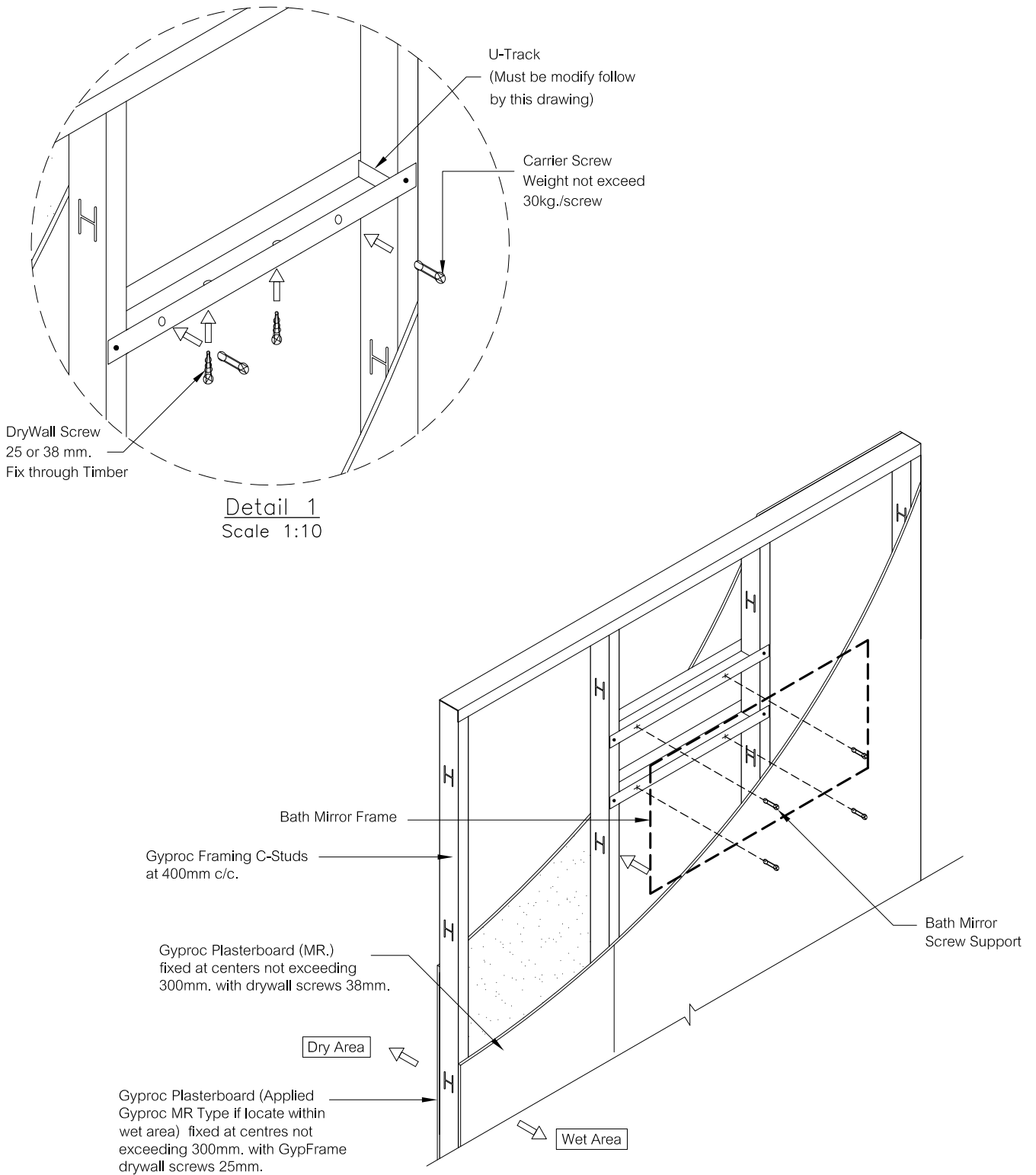
This drawing is provided to customers free of charge and the details show are subject to the accuracy of the information provided to Thai Gypsum at the time the drawing was originally requested. As a result of this sole liability for the details show cannot be accepted by Thai Gypsum. the drawing should therefore be approved by the project design and management authority before use to ensure that it meets with their specific project requirements. It should also be read in conjunction with Thai Gypsum's current literature available at www.thaigypsum.com - Topping and finishing in accordance with Thai Gypsum's current recommendations is assumed - We would also draw your attention to the Construction (Design and Management) which detail the legal duties of clients, client's agents, designers and contractors involved in construction projects.



Title :		
GypWall TOILET : Wash Basin (Sink) with Counter		
Dwg no. :	Scale :	Date :
-/-	None	17 Mar 2008
Approved :	File Ref :	
Pranote S.	Package1.6-GypWall: Installation for Wet Areas.dwg	



This drawing is provided to customers free of charge and the details show are subject to the accuracy of the information provided to Thai Gypsum at the time the drawing was originally requested. As a result of this sole liability for the details show cannot be accepted by Thai Gypsum. the drawing should therefore be approved by the project design and management authority before use to ensure that it meets with their specific project requirements. It should also be read in conjunction with Thai Gypsum's current literature available at www.thaigypsum.com - Topping and finishing in accordance with Thai Gypsum's current recommendations is assumed - We would also draw your attention to the Construction (Design and Management) which detail the legal duties of clients, client's agents, designers and contractors involved in construction projects.



Technical Center

Title :

GypWall TOILET : Mirror (Light Weight Anchoring)

Dwg no. :

-/-

Scale :

None

Date :

17 Mar 2008

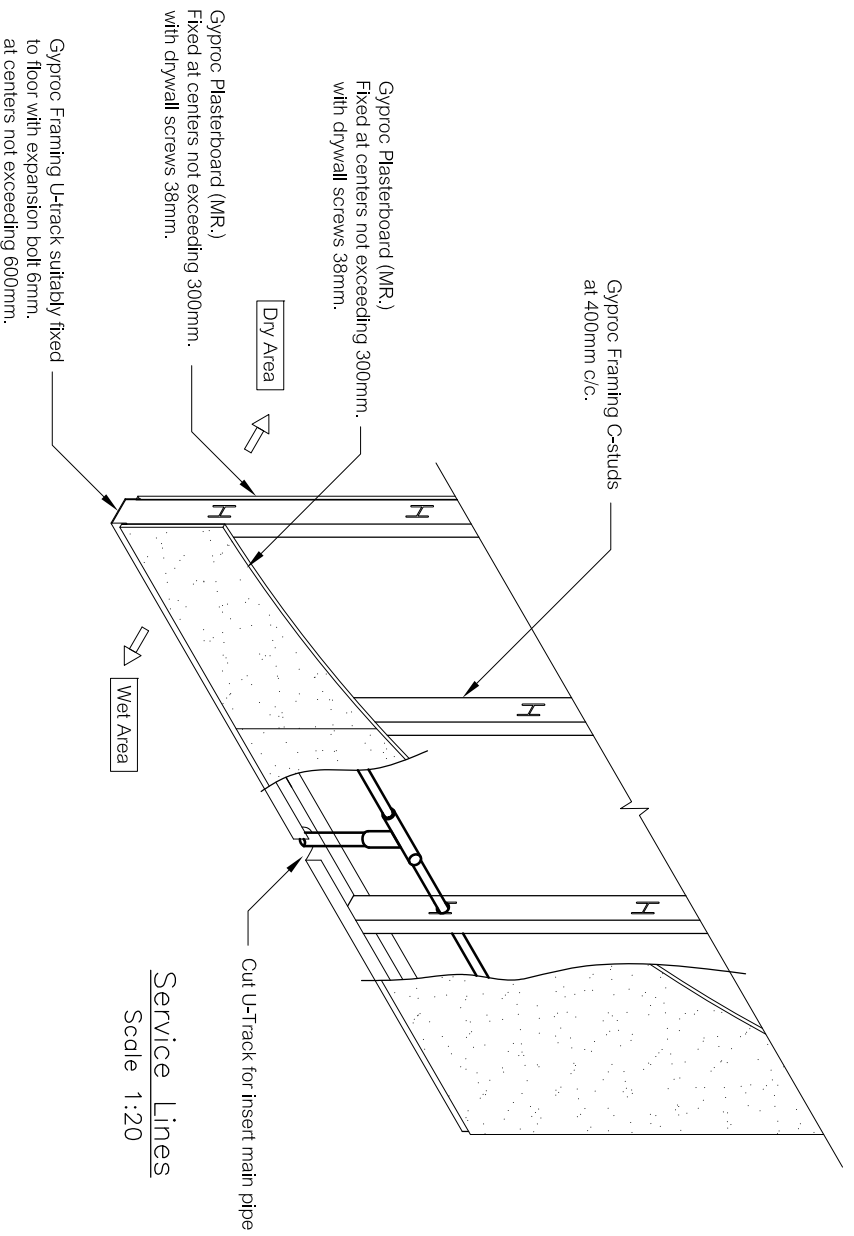
Approved :

Pranote S.

File Ref :

Package1.6-GypWall: Installation for Wet Areas.dwg





This drawing is provided to customers free of charge and the details show are subject to the accuracy of the information provided to Thai Gypsum at the time the drawing was originally requested. As a result of this sole liability for the details show cannot be accepted by Thai Gypsum, the drawing should therefore be approved by the project design and management authority before use to ensure that it meets with their specific project requirements. It should also be read in conjunction with Thai Gypsum's current literature available at www.thaigypsum.com - Topping and finishing in accordance with Thai Gypsum's current recommendations is assumed - We would also draw your attention to the Construction (Design and Management) which detail the legal duties of clients, client's agents, designers and contractors involved in construction projects.

Title :

GypWall TOILET : Water Pipe (Protrusion) - Isometric

Dwg no. :

-/-

Scale :

None

Date :

17 Mar 2008

Approved :

Pranote S.

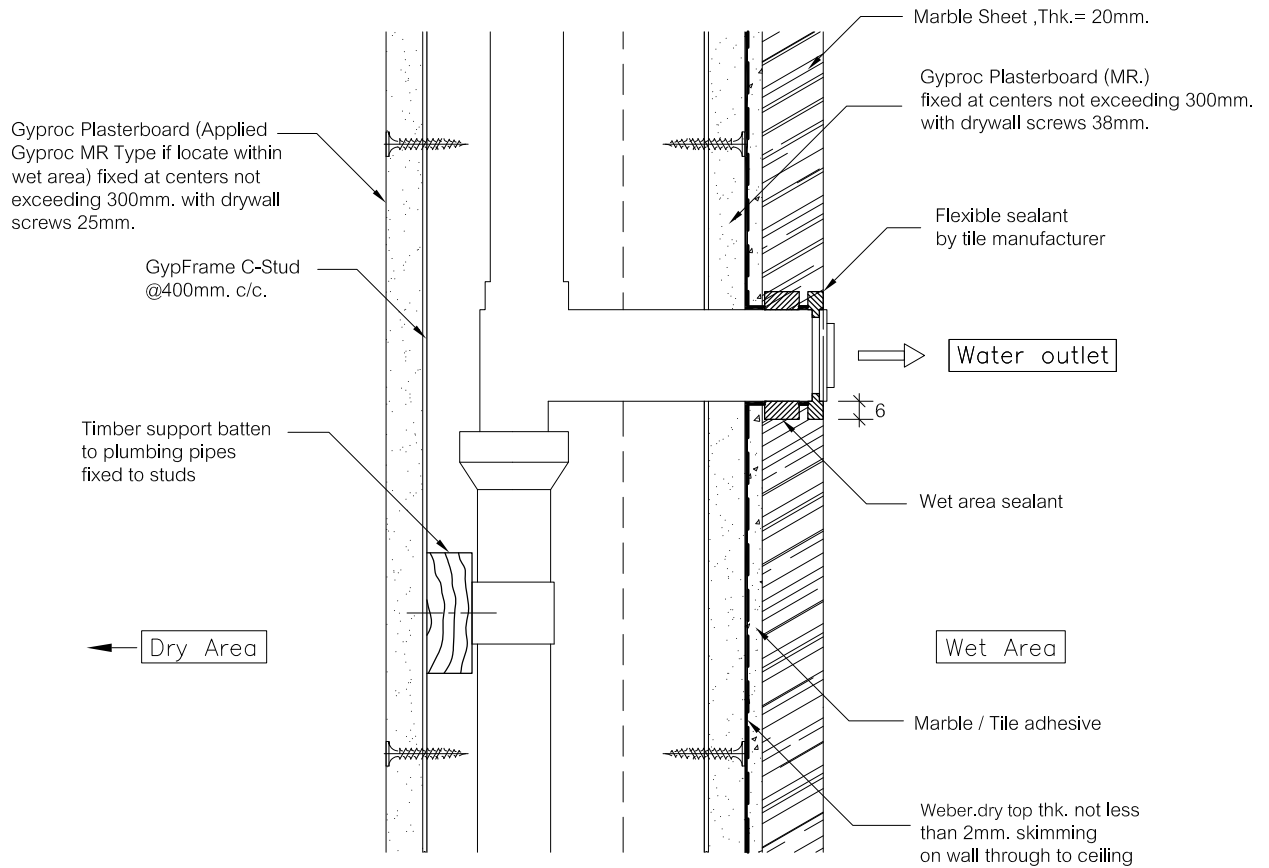
File Ref :

Package1.6-GypWall: Installation for Wet Areas.dwg

Technical Center



This drawing is provided to customers free of charge and the details show are subject to the accuracy of the information provided to Thai Gypsum at the time the drawing was originally requested. As a result of this sole liability for the details show cannot be accepted by Thai Gypsum, the drawing should therefore be approved by the project design and management authority before use to ensure that it meets with their specific project requirements. It should also be read in conjunction with Thai Gypsum's current literature available at www.thaigypsum.com - Topping and finishing in accordance with Thai Gypsum's current recommendations is assumed - We would also draw your attention to the Construction (Design and Management) which detail the legal duties of clients, client's agents, designers and contractors involved in construction projects.



Technical Center

Title :		
GypWall TOILET : Water Pipe (Protrusion) - Section		
Dwg no. :	Scale :	Date :
-/-	None	17 Mar 2008
Approved :	File Ref :	
Pranote S.	Package1.6-GypWall: Installation for Wet Areas.dwg	

